

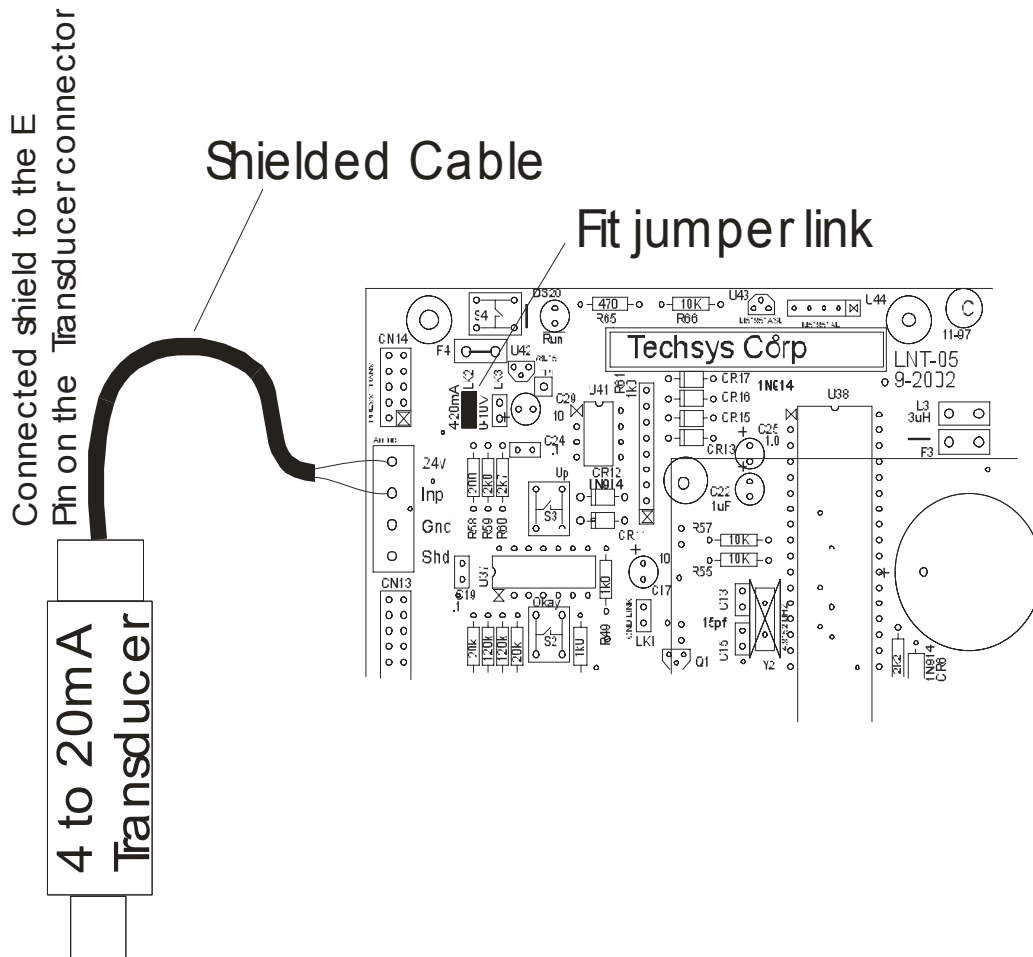
APPLICATIONS BULLETIN

USING EXTERNAL 4 TO 20MA TRANSDUCERS WITH SWORDFISH & MPCSV.

When fitting an External 4 to 20mA transducer to a Swordfish or MPSCV ensure that the shield in the cable is connected only at the transducer end.

Check List:

1. Make sure that the transducer and pump manifold is properly earthed.
2. There should only be two connections from the transducer to the PCB.
3. Fit the jumper link across the two pins as shown.



Make sure transducer is properly Earthed